

MODEL#

COOKING SURFACE

E1060i

1056 SQ. IN.
[48"x 22"]

E790i

792 SQ. IN.
[36"x 22"]

(SHOWN)

E660i

660 SQ. IN.
[30"x 22"]



feature highlights

- ◆ A grill of superior design and engineering--crafted for cooking versatility, durability and long life.
- ◆ Powered by exclusive **cast** stainless steel "E" burners for consistent, even heat distribution, guaranteed for life (optional infrared burners are available)
- ◆ Double-wall teardrop style seamless hood--provides best heat convection, and ample space for rotisserie cooking (with integral oven/warming rack for light cooking or warming foods)
- ◆ Push button hot surface ignition ignites in any weather⊗
- ◆ Water-resistant design
- ◆ Built-in digital LCD multi-zone grill thermometer⊗ with meat probe
- ◆ Sealed woodchip smoker drawer with dedicated burner for wet smoking
- ◆ Stainless Steel infrared rotisserie backburner(s) recessed to create a larger cooking area with super heavy-duty rotisserie kit
- ◆ Built-in angled halogen lights for night time grilling.
- ◆ Heat zone separators allow foods to be grilled at different temperatures
- ◆ Feather-Lite, easy-lift hood
- ◆ Built-in storage brackets for rotisserie spit rod
- ◆ Stainless steel valve manifold
- ◆ Optional colored control panels and knob trim kits (available separately)
- ◆ Custom made name plate to personalize your grill
- ◆ Optional Exclusive Motorized Hood with Wireless Remote offered for model E1060i⊗
- ◆ Grill is convertible natural gas/propane- 110V needed for hot surface ignition, lights and rotisserie
- ◆ Industry's best warranty

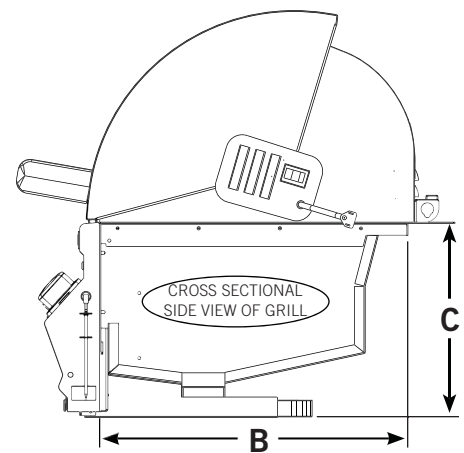
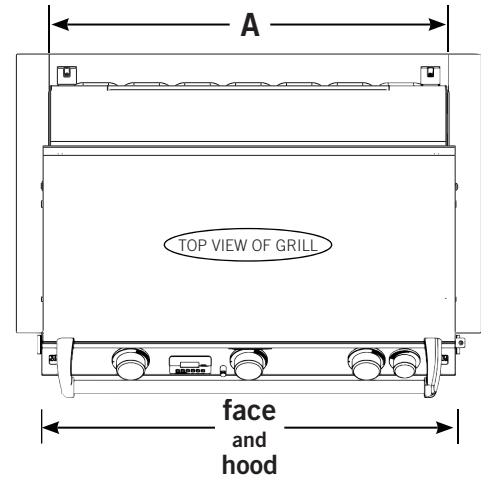
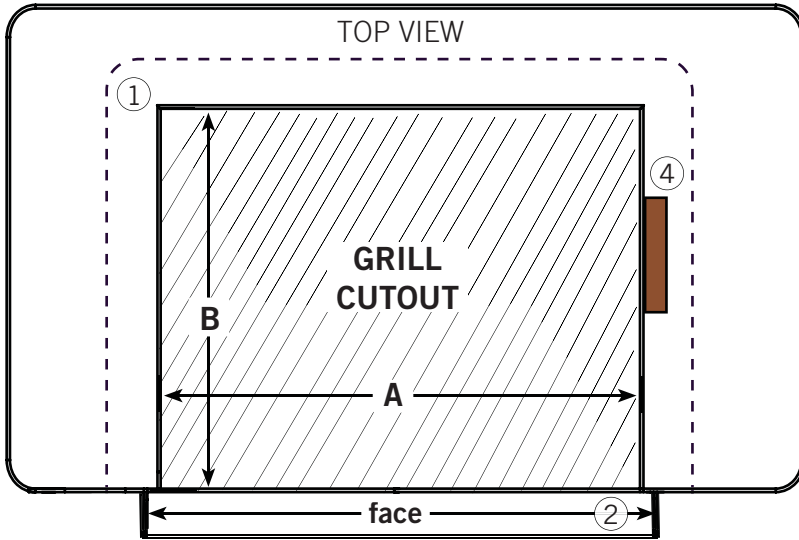
Fire Magic has been manufacturing outdoor grills for over 60 years!

⊗ patents pending

FIREMAGIC

SAVOR THE MOMENT

CRAFTED WITH PRIDE  IN THE USA



..OPENING REQUIRED..

MODEL#	WIDTH A	DEPTH B	HEIGHT C	FACE
Echelon E1060i	50"	23 1/2"	12"	51 1/4"
Echelon E790i	37"	23 1/2"	12"	38 1/4"
Echelon E660i	31 1/4"	23 1/2"	12"	32 1/2"

Notes:

1. There is a hanger on all three sides of the cutout. This hanger is 2 1/4"-2 1/2" wide. A support shelf is **not** required; front support adjustment screws are provided for additional support.
2. The face of the grill is, on each side, 1/2"-3/4" wider than the cutout width. This conceals the cutout space.
The face and hood are the same width (left-right); both are wider than cutout. The face protrudes 3" from the cutout at its furthest point
3. Additional clearances of 10" on each side, and 3" at the rear are recommended for unrestricted operation of hood, rotisserie, and accessories.
4. See specific model cutout plan for units equipped with motorized hood.

A FIRE MAGIC GRILL PROVIDES THE VERSATILITY TO BAKE A CAKE OR SEAR A STEAK. REGULATED, CONTROLLED HEAT ALLOWS SLOW COOKING---UP TO OVER 1000° AT COOKING SURFACE.

ROTISSERIE



"E" BURNER



INFRARED



CHARCOAL



WOODCHIP
SMOKER

